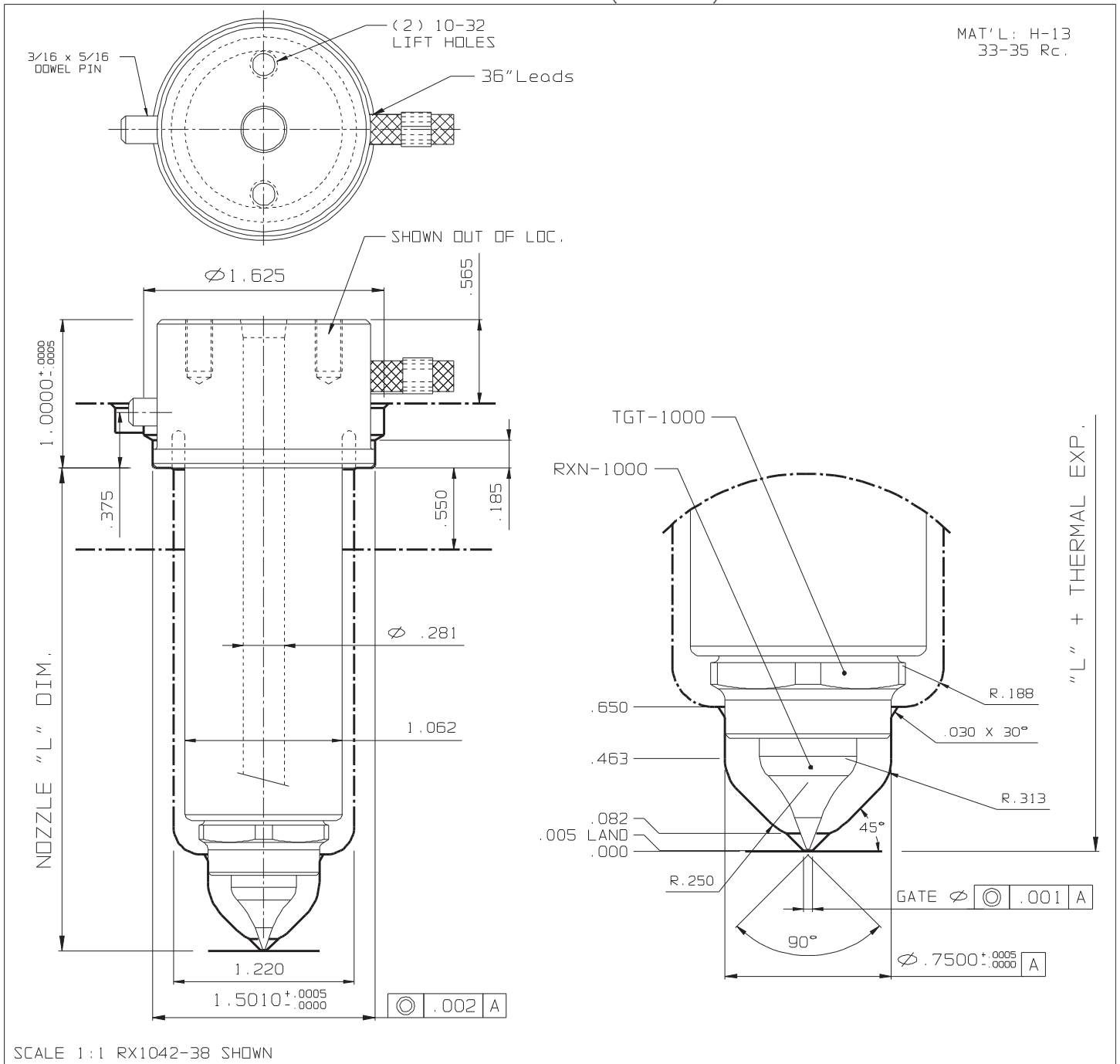


## EXTENDED TIP (Medium)



NOZZLE # (220V)					THERMAL EXPANSION $\Delta L$ @ (°F)				OPTIONS	
L	FLAT TYPE	O-RING TYPE	WATTS	T/C	370°F	460°F	550°F	640°F	END CAP	GATE $\varnothing$
1.750	RX1026-38	RX1026-68	325	J2-06	0.004	0.005	0.007	0.008	TGT-1000	.030-.094
2.250	RX1032-38	RX1032-68	385	J2-06	0.005	0.007	0.008	0.010		
2.750	RX1036-38	RX1036-68	440	J2-10	0.006	0.008	0.010	0.012	GATING NEEDLES UNFILLED MATLS    REINFORCED MATLS RXN-1000            RXN-1010	
3.250	RX1042-38	RX1042-68	500	J2-10	0.007	0.009	0.011	0.014		
3.750	RX1046-38	RX1046-68	560	J2-10	0.008	0.011	0.013	0.016		
4.250	RX1052-38	RX1052-68	560	J2-10	0.009	0.012	0.015	0.017		
4.750	RX1056-38	RX1056-68	610	J2-10	0.010	0.013	0.016	0.019		
5.250	RX1062-38	RX1062-68	660	J2-10	0.011	0.015	0.018	0.021		
5.750	RX1066-38	RX1066-68	710	J2-10	0.012	0.016	0.019	0.022		