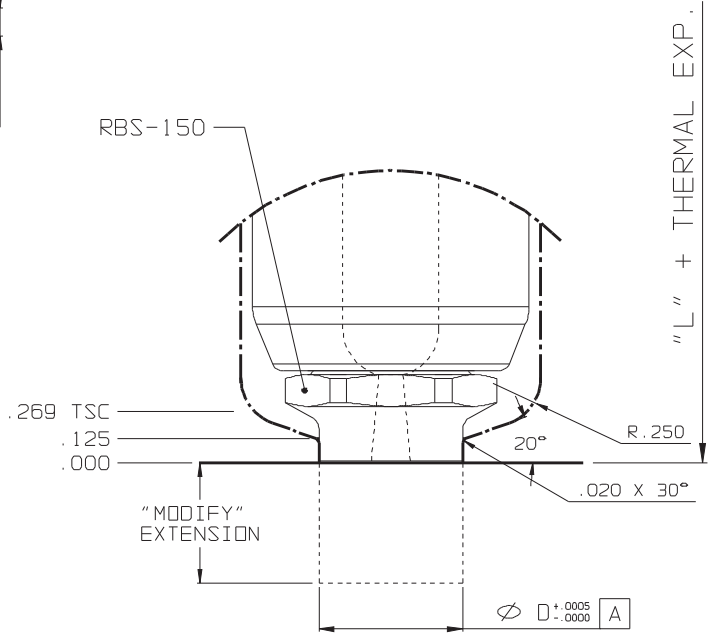
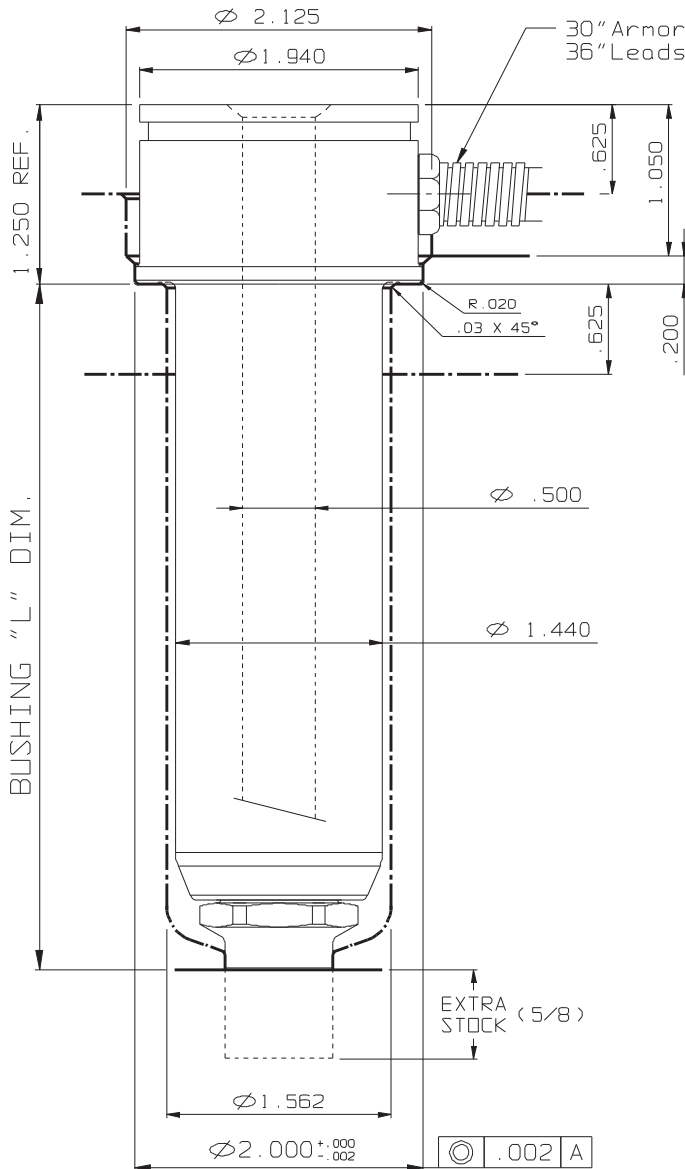


SPRUE TYPE (Large)

 MAT'L: H-13
 33-35 Rc.


SCALE 3/4:1 RB1553-50S SHOWN

STANDARD SIZES					(240 V)		OPTIONS		
L	1/2 SPH. RAD.	3/4 SPH. RAD.	FLAT TYPE	MAN. TYPE	Watts	T/C	END CAPS		
2.250	RB1527-50S	RB1527-75S	RB1527-38S	RB1527-68S	475	J2-06	STANDARD	D	ORIFICE
2.750	RB1533-50S	RB1533-75S	RB1533-38S	RB1533-68S	550	J2-06	RBS-150 RBS-200	.750 1.000	1/8+5°/5
3.250	RB1537-50S	RB1537-75S	RB1537-38S	RB1537-68S	640	J2-06			
3.750	RB1543-50S	RB1543-75S	RB1543-38S	RB1543-68S	640	J2-10	END CAPS		
4.250	RB1547-50S	RB1547-75S	RB1547-38S	RB1547-68S	680	J2-10	EXTRA STOCK	D	ORIFICE
4.750	RB1553-50S	RB1553-75S	RB1553-38S	RB1553-68S	760	J2-10	RBS-150ES RBS-200ES	.750 1.000	NONE
5.250	RB1557-50S	RB1557-75S	RB1557-38S	RB1557-68S	760	J2-10			
5.750	RB1563-50S	RB1563-75S	RB1563-38S	RB1563-68S	760	J2-10	A replaceable T/C is installed with each bushing.		
6.250	RB1567-50S	RB1567-75S	RB1567-38S	RB1567-68S	830	J2-10			
6.750	RB1573-50S	RB1573-75S	RB1573-38S	RB1573-68S	830	J2-10			
7.250	RB1577-50S	RB1577-75S	RB1577-38S	RB1577-68S	830	J2-10			
7.750	RB1583-50S	RB1583-75S	RB1583-38S	RB1583-68S	830	J2-10			
8.250	RB1587-50S	RB1587-75S	RB1587-38S	RB1587-68S	900	J2-14			
8.750	RB1593-50S	RB1593-75S	RB1593-38S	RB1593-68S	900	J2-14			
9.250	RB1597-50S	RB1597-75S	RB1597-38S	RB1597-68S	900	J2-14			