



Eurotherm®

Accelerate Your Project Delivery Industrial Control Panel Featuring nanodac™ Recorder/Controller



Designed to provide a complete control and data recording solution and delivered from stock to help meet short lead times, this industrial panel with Eurotherm nanodac recorder/controller is ideal for projects where a custom control panel has not been budgeted for and fast delivery is needed. Its standardized UL508A approved design satisfies a variety of machine control applications.

Benefits

- Industry-leading Eurotherm precision dual loop PID control with input measurement accuracy of 0.1% of reading accuracy at 125ms sample rate
- All I/O points are wired to an easily accessible industrial terminal strip
- Compact UL508A/cUL508A approved polycarbonate control panel, available in stainless steel upon request
- NEMA 12 rated nanodac instrument, in a NEMA 4X enclosure sealed for use in harsh environments and washdown applications
- Seamless building automation integration with native BACnet IP communication

Key Features

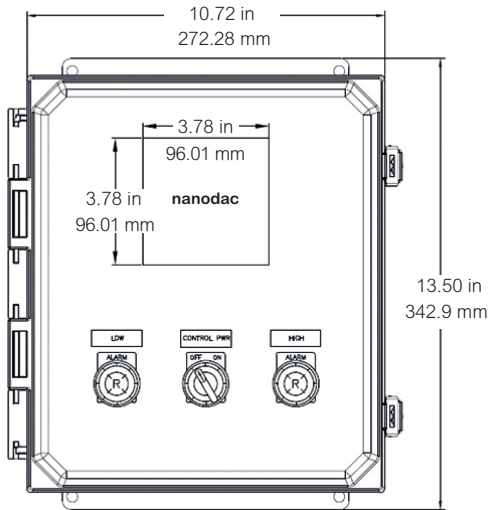
- Four standard universal analog inputs, two 4-20mA outputs, two relay outputs, two digital inputs
- Up to eight universal analog inputs available for temperature, pressure, flow, calculated values, etc.
- Tamper resistant data recording ideal for regulated industries
- Modbus TCP/IP and BACnet IP Ethernet communications
- Ability to control two valve positioners in 1/3 : 2/3 mode
- Full color TFT display with dedicated beacons for easy visualization of alarm status
- Front panel on/off power switch and two red alarm lights
- Pre-configured with a basic heating application using iTools configuration software. Simply enter setpoints and run the auto-tune function

eurotherm.com/nanodac

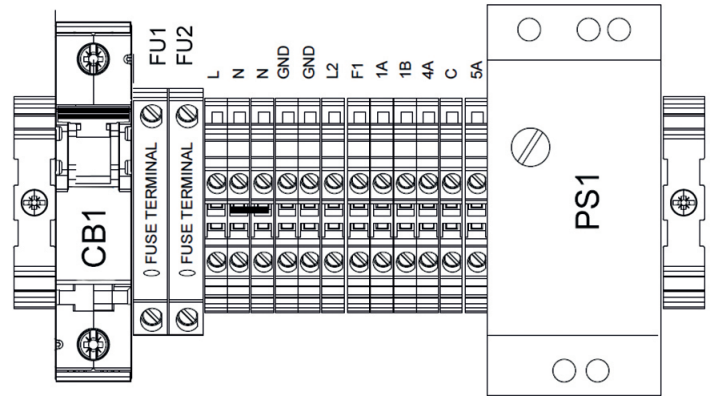
 **WATLOW®**
Powered by Possibility

Technical Details and Dimensions

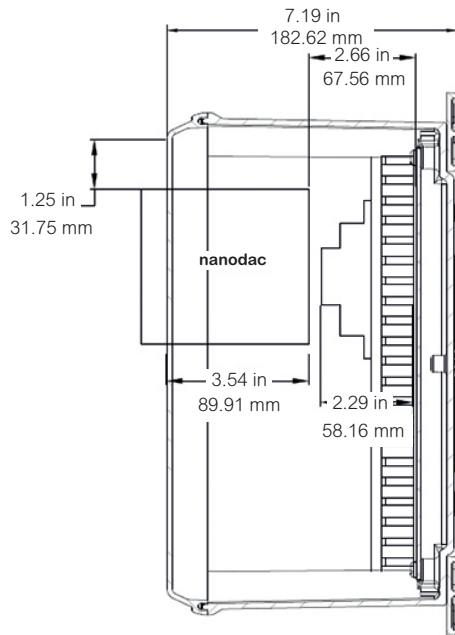
Front Panel Dimensions and Layout



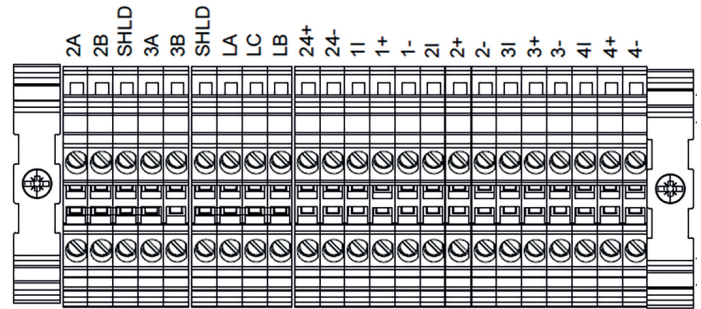
AC Voltage I/O Rail



Side Panel Dimensions and Layout



DC Voltage I/O Rail



Order Code

Control Panel	
NANODAC-PANEL-AP	Industrial control panel fitted with nanodac recorder/controller

This Industrial Control Panel Solution is currently available as a stock item from our Eurotherm USA office only.

Eurotherm USA

44621 Guilford Drive, Suite 100
20147 Ashburn, VA
USA

Phone: +1-703-724-7300

www.eurotherm.com



Watlow, Eurotherm, EurothermSuite, EFit, EPack, EPower, Eycon, Chessell, Mini8, nanodac, piccolo and versadac are trademarks and property of Watlow its subsidiaries and affiliated companies. All other trademarks are the property of their respective owners.