

MTH

Mini-Tubular Heaters



- 360° Heated Area
- Readily Conforms to Surface
- Fast Response and Quick Heat Transfer
- Helical Coil Design for Superior Performance
- Shock, Vibration, Contamination and Corrosion Resistant
- Available with Thermocouple Grounded at End on .125 and .188
- Sheath Diameters: .040", .062", .093", .125" and .188"



Closed Wound Coil



Special Wound Coil for Profiled Heat Pattern

Description

With the capability to be formed into many shapes, the Mini-Tubular is adaptable to a variety of applications.

Swaged or drawn alloy cable, compacted magnesium oxide and a helical or straight resistance element are the assembled components of the Mini-Tubular. Small diameters and cross-sections allow a quick response, providing heat in tight spaces where most heaters cannot be installed. The typically spiral design allows heat to be applied to the full

circumference of the part. The small diameter Mini-Tubular Band Heaters at 3/4" and 7/8" inside diameter are exact OEM replacements. Also available is a square profile design that increases surface contact for improved conductive heat transfer. An internal thermocouple in some sizes allows for precise temperature monitoring and control.

Mini-Tubular Heaters can also be supplied straight for field bending.

Specifications - Closed Wound Coil

Model Number	I.D. (A)	Length (L)	Watts	Volts
MTC826	7/8"	2-5/8"	780	240
MTC831	7/8"	3-1/8"	650	240
MTC836	7/8"	3-5/8"	630	240
MTC842X	7/8"	4-5/16"	760	240
MTC852X	7/8"	5-5/16"	950	240
MTC861X	7/8"	6-15/16"	1120	240
MTC872X	7/8"	7-15/16"	1200	240
MTC882X	7/8"	8-15/16"	1260	240
MTC520	1/2"	2"	340	120
MTC525	1/2"	2-1/2"	325	120
MTC530	1/2"	3"	350	120
MTC535	1/2"	3-1/2"	400	120
MTC545	1/2"	4-1/2"	450	120
MTC555	1/2"	5-1/2"	550	120
MTC565	1/2"	6-1/2"	650	120

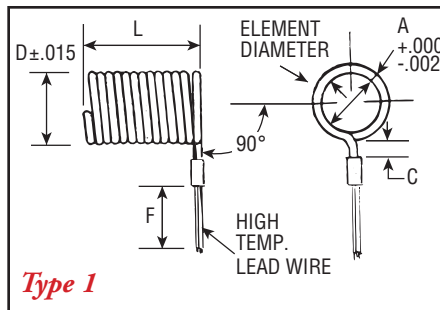
Above items standard with built-in thermocouple and 36" cable, "C" = 1" in straight position (Type 1).

Specifications - Special Wound Coil

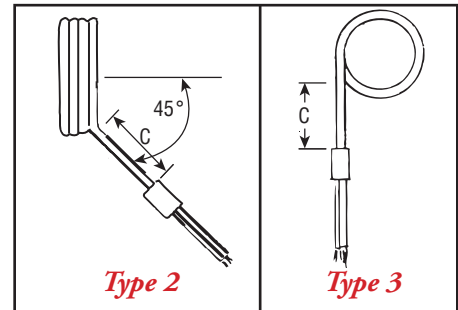
Model Number	Diameter (D)	Length (L)	Watts	Volts
MTC546	1/2"	4-5/8"	300	120
MTC546	1/2"	4-5/8"	300	240

Above items standard with built-in thermocouple and 48" armor cable, "C" = 1" at 45° (Type 2).

Terminations

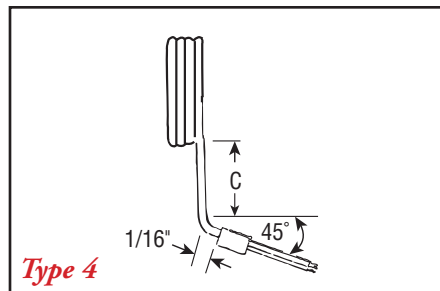


Type 1

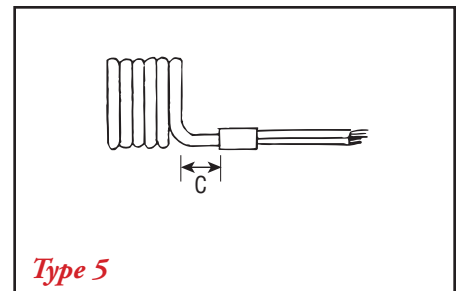


Type 2

Type 3



Type 4



Type 5

Mini-Tubular Heaters are available with standard high temperature leads (450°F/250°C), teflon leads, flexible stainless steel braided lead protection or with stainless steel armor cable.