

WATROD™ Enclosure Heaters

Prevent Freezing and Condensation In Electrical and Mechanical Housings

WATROD™ enclosure heaters are designed to prevent freezing and condensation in electrical and mechanical housings. The WATROD element is enclosed in a perforated, aluminized-steel bracket to prevent direct contact with heating element.

Performance Capabilities

- Watt densities up to 15 W/in² (2.3 W/cm²)
- Wattages up to 1000 watts
- UL® and CSA component recognition up to 250VAC

Features and Benefits

Stainless steel sheath wall

- Resists corrosion and protects the heating coil from exposure

Silicone resin seal

- Provides protection against humid storage conditions and is effective up to 390°F (200°C)

Perforated aluminized-steel mounting bracket

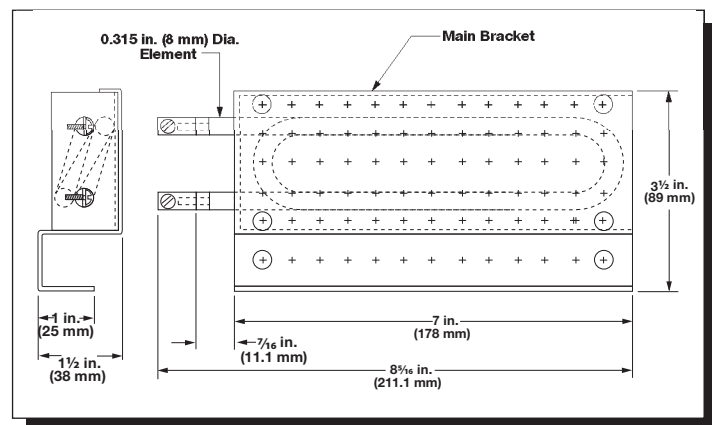
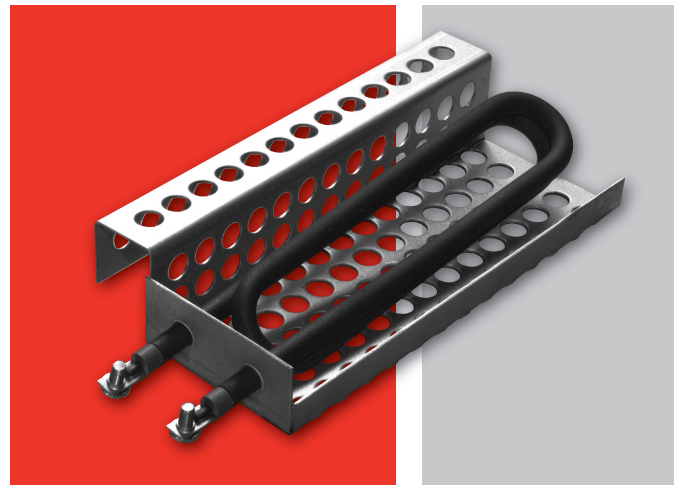
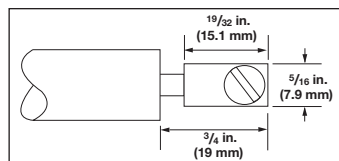
- Eases installation and helps prevent direct contact with the heating element

Made-to-order threaded stud

- Provides quick connect and flexible lead wire termination options

Stock straight projection Type B #10-32 screw lug terminals (see drawing below)

- Provides easy electrical connection



Typical Applications

- Control panels
- Traffic signal boxes
- Automated teller machines
- Switch gear
- Electronic equipment

Application Hints

- Locate heater(s) in the lowest portion of the enclosure to maximize convection heating
- Place thermostat(s) in the upper half of the enclosure, away from the heater(s)

Watts	Watt Density		Part Number		Delivery	Est. Net Wt.	
	W/in ²	(W/cm ²)	125VAC	250VAC		lbs	(kg)
95	4	(0.6)	EN951		RS	1.5	(0.7)
100	4	(0.6)		EN10010	RS	1.5	(0.7)
250	10	(1.6)	EN2501	EN25010	RS	1.5	(0.7)
375	15	(2.3)	EN3751	EN37510	RS	1.5	(0.7)

RAPID SHIP

- RS - Same day shipment up to 5 pieces

WATROD™ is a trademark of Watlow Electric Manufacturing Company. UL® is a registered trademark of Underwriter's Laboratories, Inc.

©2011 Watlow Electric Manufacturing Company, all rights reserved.



HAN-WEH-0311