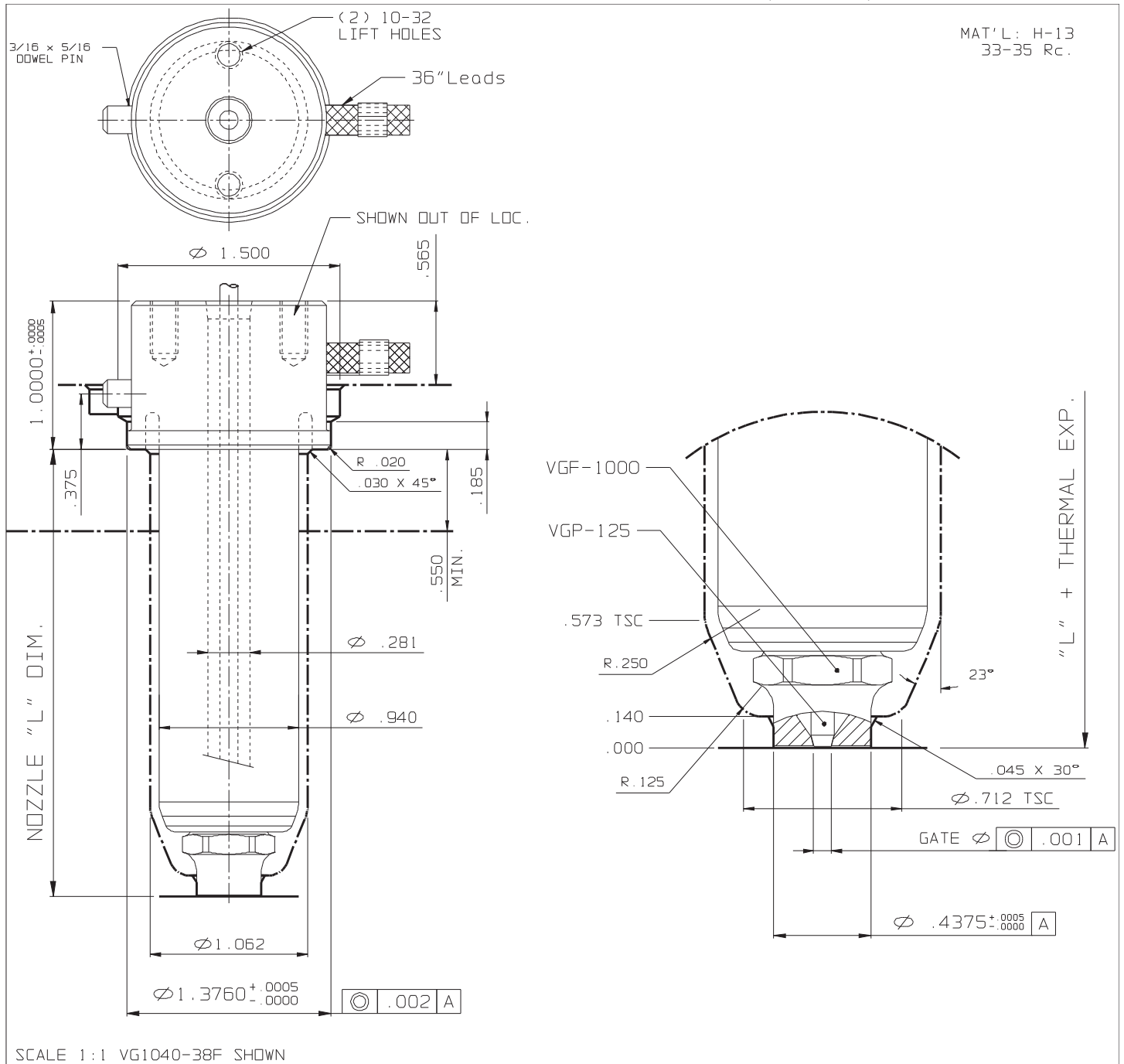


VALVE GATE FULL BODY (Medium)



SCALE 1:1 VG1040-38F SHOWN

NOZZLE # (220 V)					THERMAL EXPANSION ΔL @ (°F)				OPTIONS	
L	FLAT TYPE	O-RING TYPE	WATTS	T/C	370°F	460°F	550°F	640°F	END CAP	GATE Ø
2.000	VG1030-38F	VG1030-68F	355	J2-06	0.004	0.006	0.007	0.008	VG1-1000	.080
2.500	VG1035-38F	VG1035-68F	415	J2-06	0.005	0.007	0.009	0.010	VALVE PIN	VGP-125
3.000	VG1040-38F	VG1040-68F	470	J2-10	0.006	0.008	0.010	0.012		
3.500	VG1045-38F	VG1045-68F	530	J2-10	0.007	0.010	0.012	0.014	STABILIZER	VGN-1000
4.000	VG1050-38F	VG1050-68F	590	J2-10	0.008	0.011	0.013	0.016		
4.500	VG1055-38F	VG1055-68F	590	J2-10	0.009	0.012	0.015	0.018	STABILIZER	VGN-1000
5.000	VG1060-38F	VG1060-68F	610	J2-10	0.010	0.014	0.017	0.020		
5.500	VG1065-38F	VG1065-68F	660	J2-10	0.011	0.015	0.018	0.022	STABILIZER	VGN-1000
6.000	VG1070-38F	VG1070-68F	710	J2-10	0.012	0.016	0.020	0.024		