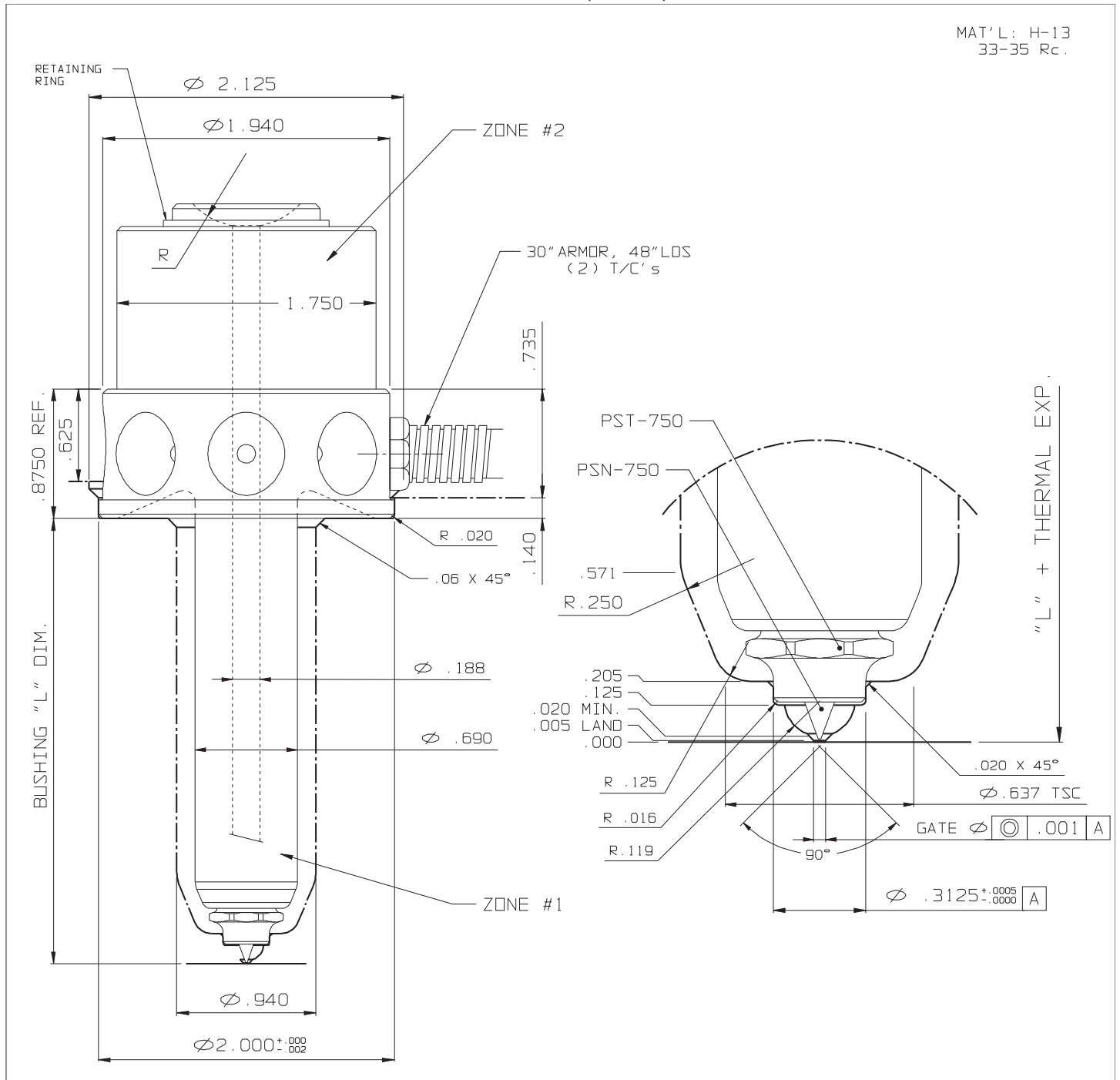


TOPLESS (Small)

 MAT'L: H-13
 33-35 Rc.


SCALE 1:1 MD7537-50T SHOWN

NOZZLE # (220 V)					THERMAL EXPANSION ΔL @ (°F)				OPTIONS	
L	½" SPH. RAD.	¾" SPH. RAD.	WATTS	T/C	370°F	460°F	550°F	640°F	END CAP	GATE Ø
1.500	MD7523-50T	MD7523-75T	640	J2-06	0.003	0.005	0.006	0.007	PST-750	.040
2.000	MD7527-50T	MD7527-75T	700	J2-10	0.004	0.006	0.007	0.009	GATING NEEDLES	REINFORCED MATLS
2.500	MD7533-50T	MD7533-75T	720	J2-10	0.005	0.007	0.009	0.011		
3.000	MD7537-50T	MD7537-75T	740	J2-10	0.006	0.009	0.011	0.013	UNFILLED MATLS	REINFORCED MATLS
3.500	MD7543-50T	MD7543-75T	770	J2-10	0.007	0.010	0.012	0.015	PST-750	PSN-760
4.000	MD7547-50T	MD7547-75T	800	J2-10	0.008	0.011	0.014	0.016		