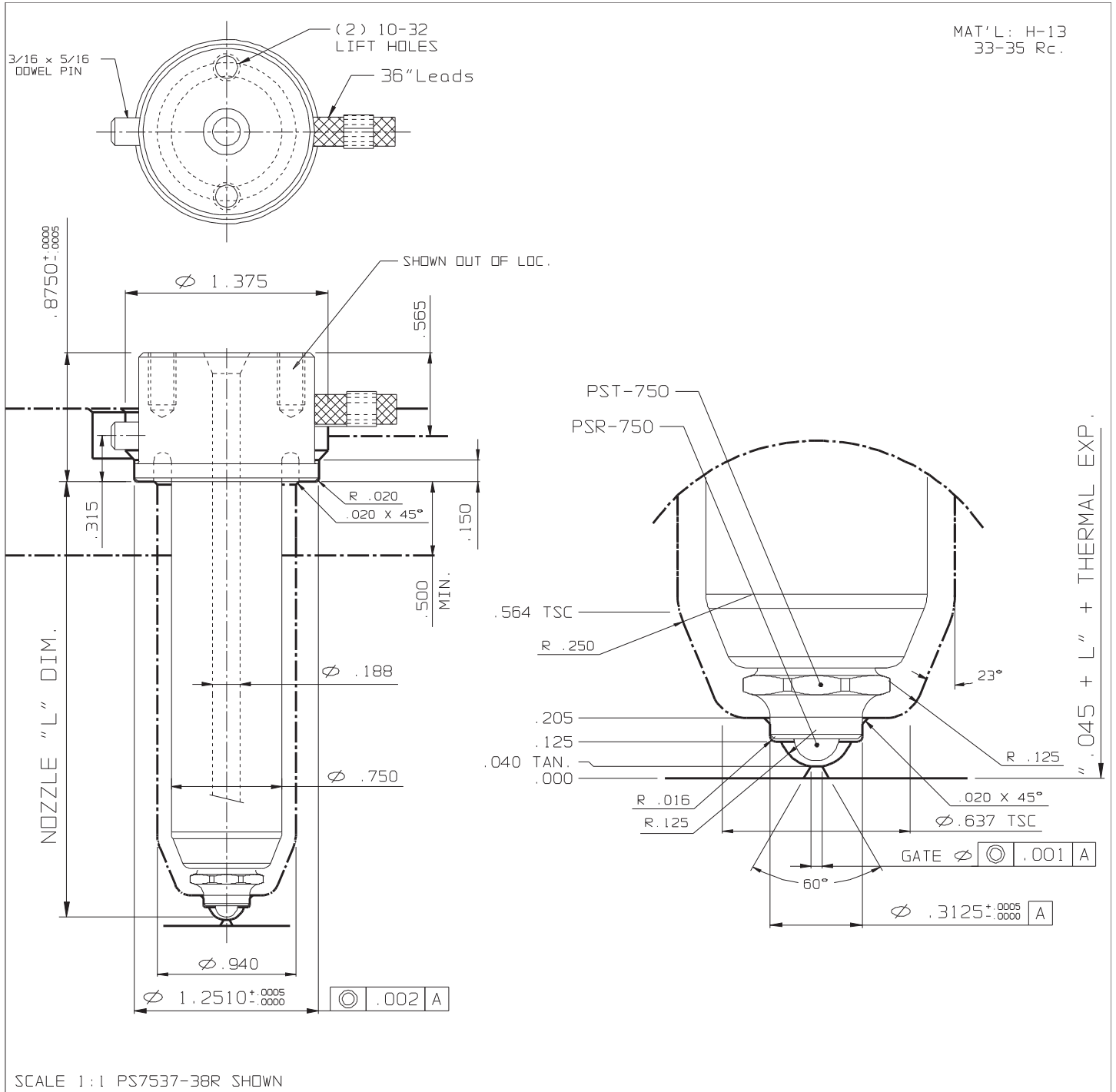


THROUGH TIP (Small)



NOZZLE # (220 V)					THERMAL EXPANSION ΔL @ (°F)				OPTIONS	
L	FLAT TYPE	O-RING TYPE	WATTS	T/C	370°F	460°F	550°F	640°F	END CAP	GATE Ø
.950	PS7517-38R	PS7517-68R	220	J2-06	0.002	0.003	0.004	0.005	PST-750	.030-.040
1.450	PS7523-38R	PS7523-68R	250	J2-06	0.003	0.005	0.006	0.007		
1.950	PS7527-38R	PS7527-68R	310	J2-06	0.004	0.006	0.007	0.009		
2.450	PS7533-38R	PS7533-68R	330	J2-06	0.005	0.007	0.009	0.010		
2.950	PS7537-38R	PS7537-68R	350	J2-10	0.006	0.008	0.010	0.012	GATING NEEDLES	
3.450	PS7543-38R	PS7543-68R	380	J2-10	0.007	0.010	0.012	0.014	PSR-750	
3.950	PS7547-38R	PS7547-68R	400	J2-10	0.008	0.011	0.014	0.016		
4.450	PS7553-38R	PS7553-68R	500	J2-10	0.009	0.012	0.015	0.018		