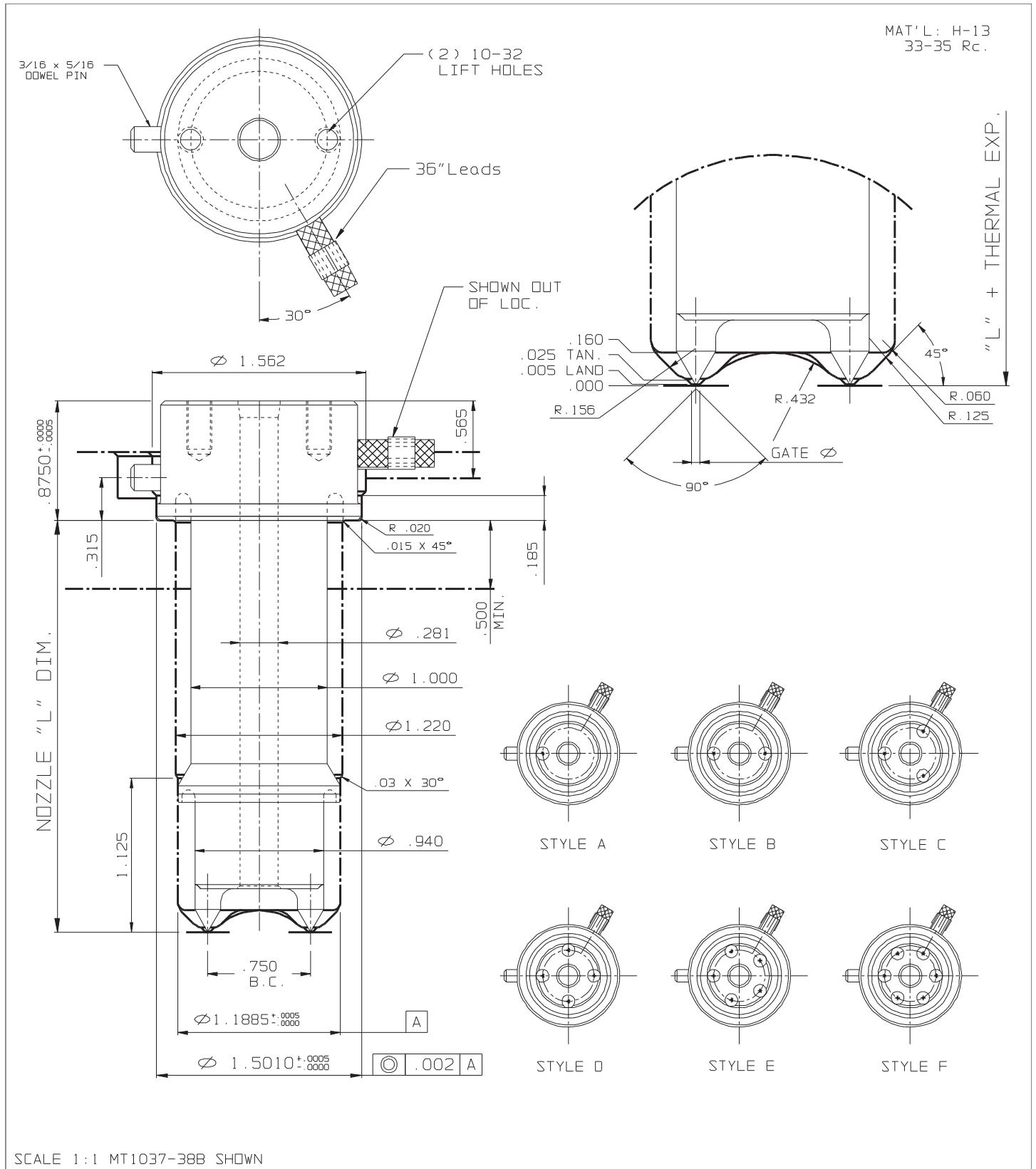


MULTI-TIP



| NOZZLE # (220V) | | | | | THERMAL EXPANSION ΔL @ (°F) | | | | ORDERING |
|-----------------|--------------|--------------|-------|-------|-----------------------------|-------|-------|-------|--|
| L | FLAT TYPE | O-RING TYPE | WATTS | T/C | 370°F | 460°F | 550°F | 640°F | When ordering, please substitute the (#) with the desired style letter to complete nozzle part number. Example: MT1027-38D |
| 2.000 | MT1027-38(#) | MT1027-68(#) | 340 | J2-06 | 0.004 | 0.006 | 0.007 | 0.009 | |
| 2.500 | MT1033-38(#) | MT1033-68(#) | 400 | J2-06 | 0.005 | 0.007 | 0.009 | 0.011 | |
| 3.000 | MT1037-38(#) | MT1037-68(#) | 455 | J2-06 | 0.006 | 0.009 | 0.011 | 0.013 | |