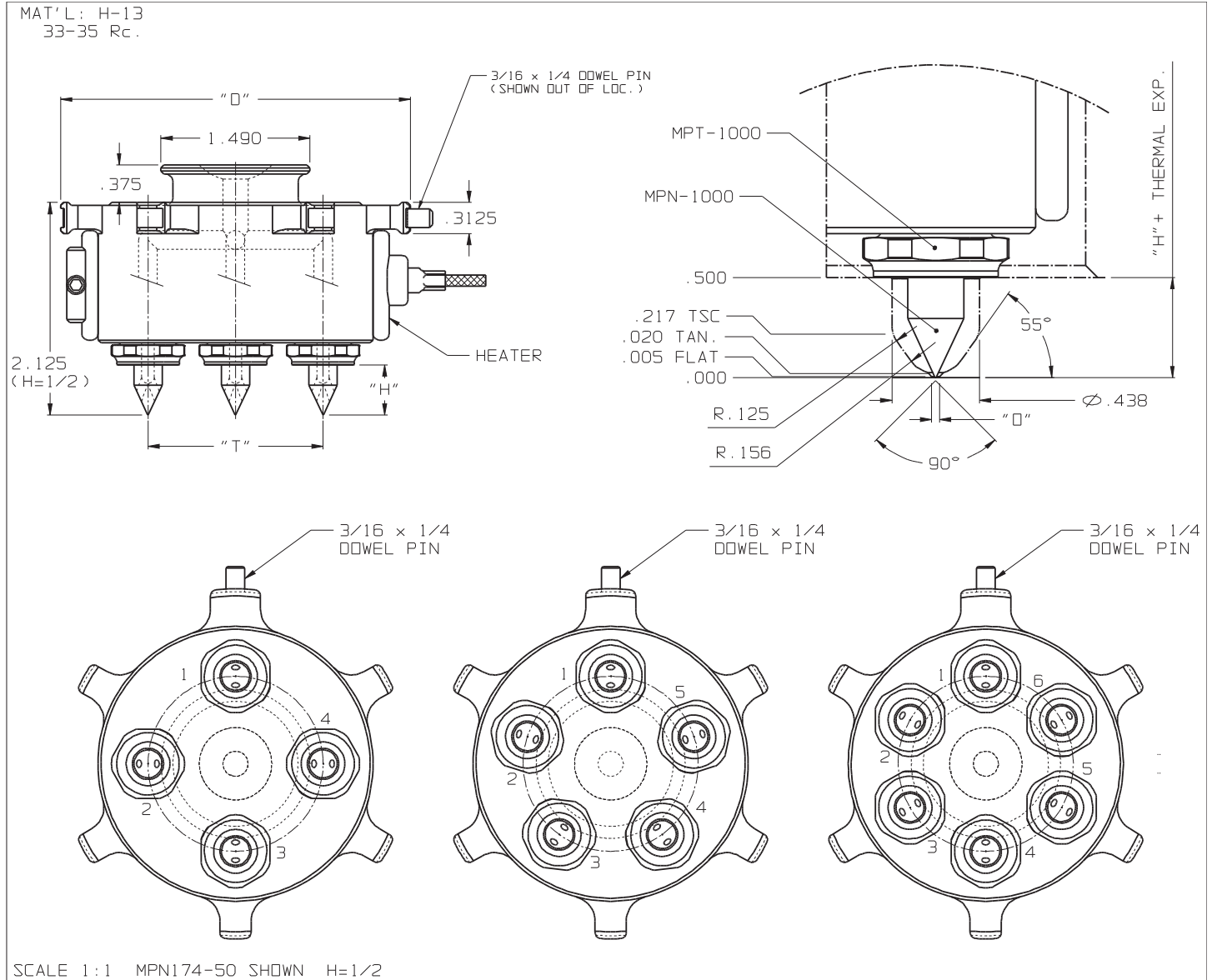


## MULTI-POINT NOZZLES



NOZZLE #									(220 V)		OPTIONS	
T	D	# TIPS	1/2 RAD.	3/4 RAD.	FLAT TYPE	O-RING	HEATER	WATTS	END CAP	GATE Ø		
1½	¾	2	MPN152-50	MPN152-75	MPN152-38	MPN152-68	MPNH-150	900	MPT-1000	.030-.060		
		3	MPN153-50	MPN153-75	MPN153-38	MPN153-68						
		4	MPN154-50	MPN154-75	MPN154-38	MPN154-68						
		5	MPN155-50	MPN155-75	MPN155-38	MPN155-68						
1¾	3½	2	MPN172-50	MPN172-75	MPN172-38	MPN172-68	MPNH-175	1100	GATING NEEDLES			
		3	MPN173-50	MPN173-75	MPN173-38	MPN173-68			"H"	UNFILLED MAT'LS	REINFORCED MAT'LS	
		4	MPN174-50	MPN174-75	MPN174-38	MPN174-68			½	MPN-1000	MPN-1010	
		5	MPN175-50	MPN175-75	MPN175-38	MPN175-68			¾	MPN-1001	MPN-1011	
		6	MPN176-50	MPN176-75	MPN176-38	MPN176-68			1	MPN-1002	MPN-1012	
2	¾	2	MPN202-50	MPN202-75	MPN202-38	MPN202-68	MPNH-200	1300	THERMOCOUPLE			
		3	MPN203-50	MPN203-75	MPN203-38	MPN203-68			J6-10			
		4	MPN204-50	MPN204-75	MPN204-38	MPN204-68						
		5	MPN205-50	MPN205-75	MPN205-38	MPN205-68						
2¼	4	2	MPN222-50	MPN222-75	MPN222-38	MPN222-68	MPNH-225	1500				
		3	MPN223-50	MPN223-75	MPN223-38	MPN223-68						
		4	MPN224-50	MPN224-75	MPN224-38	MPN224-68						
		5	MPN225-50	MPN225-75	MPN225-38	MPN225-68						
		6	MPN226-50	MPN226-75	MPN226-38	MPN226-68						
		8	MPN228-50	MPN228-75	MPN228-38	MPN228-68						